

ViNtrol, Inc.
SERIES A & SERIES B
Floating Ball Valves

SERIES A
SERIES B

SERIES A
SERIES B



SERIES A & B

YOUR BEST CHOICE FOR FLOW CONTROL & SEALING SOLUTIONS

Vintrol offers a complete solution for your flow control applications. Vintrol products serve many of the leading Petroleum & Industrial companies and are the result of decades of innovation in the Oil & Gas industry. Our designs are proven performers in the harshest of environments. The Vintrol brand means quality and reliability you can count on. Our state of the art manufacturing facilities have achieved ISO 9001 certification. Vintrol Threaded Series A & Bolted Series B Floating Ball Valves are produced in conformance to industry requirements and our customer's demanding service conditions.

Vintrol products are marketed and sold worldwide by an experienced team of domestic and international field representatives. Our sales force works closely with these representatives to ensure our customer's expectations are met or exceeded. A network of authorized distributors stock Vintrol products for immediate delivery to the oil and gas and industrial marketplace.

Performance Features of Threaded Series A & Bolted Series B Floating Ball Valves

Vintrol Series A & B ball valves feature standard materials of ductile iron, carbon and stainless steel construction in sizes ranging from 1" to 4" with LP, NPT, and 8 Round threaded end connections and pressures from 1000 to 5000 psi. All Vintrol threaded series ball valves include the following standard features.

- Back-seated stem is blow out proof and fire safe
- External stem lubrication and vented weather seal
- SS trim for maximum corrosion protection
- Fire-safe design
- Devlon seats are standard for service to 300 F
- Available in both full and reduced port configurations
- Ball includes pressure equalization hole to prevent trapped pressure in the body cavity
- Standard locking handle to meet safety and security concerns with double locking feature for tank valves
- NACE MR0175`

STEM LUBE FITTING & WEATHER SEAL

External stem lube fitting and vented weather seal ensure effective lubrication of stem journal and protection from external corrosion or contamination.



TWO-PIECE BOLTED DESIGN

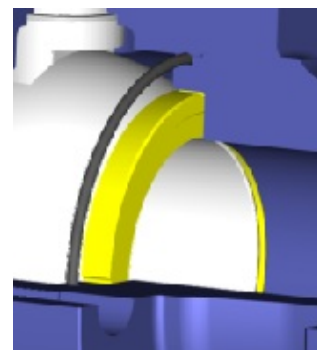
Series B ball valves are a durable two-piece bolted design. Body materials are available in Forged A105/LF2 & Cast WCB, LCC, Ductile Iron & CF8M stainless steel.



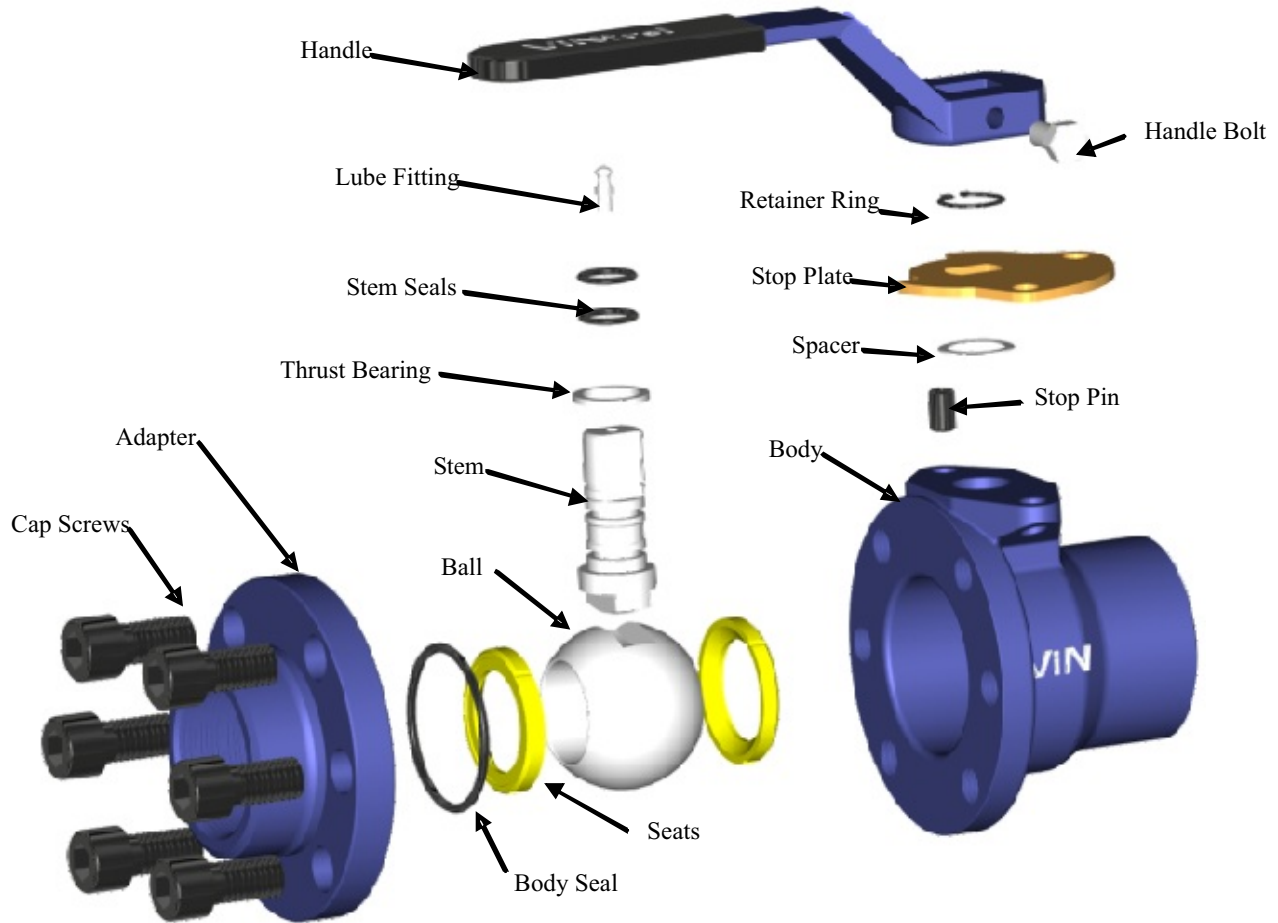
DEVLON AND RTFE SEATS

Our floating ball valve seats provide bubble tight sealing at high and low pressures with excellent torque performance. Loss of seat insert results in metal to metal sealing for fire-safe reliability.

Optional seat materials include PEEK, TFM, DELRIN, & PTFE.



SERIES A & B



PART DESCRIPTION	AVAILABLE MATERIALS
BODY	ASTM A395, A216 WCB, A351 CF8M, A352 LCC, A105
ADAPTER	ASTM A395, A216 WCB, A351 CF8M, A352 LCC, A105
BALL	316 SS, 410 SS
STEM	316 SS, 410 SS
SEAT	DEVLON, DELRIN, RTFE, PTFE, TFM, PEEK
STOP PLATE	PLATED CARBON STEEL
HANDLE	DUCTILE IRON
THRUST BEARING	REINFORCED TEFLON
STEM SPACER	NYLON
BODY SEAL	HNBR, VITON A, VITON B, AFLAS, AND MORE
STEM SEALS	HNBR, VITON A, VITON B, AFLAS, AND MORE
RETAINER RING	SPRING STEEL
LUBE FITTING	PLATED CARBON STEEL
STOP PIN	SPRING STEEL
HANDLE BOLT	PLATED CARBON STEEL
CAP SCREW	ASTM A574, A320 L7 & L7M

SERIES A BASE PART NUMBERS

SIZE/RATING	1" FP	2" RP	3" RP	4" RP
1000		1102-	1104-	1105-
1500	1151-	1152-		
2000	1201-	1202-		
2500	1251-	1252-		
3000	1301-	1302-		
5000	1501-	1502-		

AUTOMATION & SPECIALIZATION

Pneumatic actuators and accessories are available from our facilities in India as well as our full service facilities in Oklahoma, Texas, and Louisiana. Factory mounted automation packaging means single point responsibility, standardization of control components and accessories, and expert sizing for smooth operation.

COATINGS AND OVERLAY

A wide variety of coatings are available for increased life span and corrosion protection you can count on. Enduro-Bond Plus coatings are a cross-linked barrier, fused by a strong mechanical bond to provide superior protection over traditional plastic coatings. A complete line of spray on and weld overlay metals are also available.

TRIM OPTION PART NUMBERS

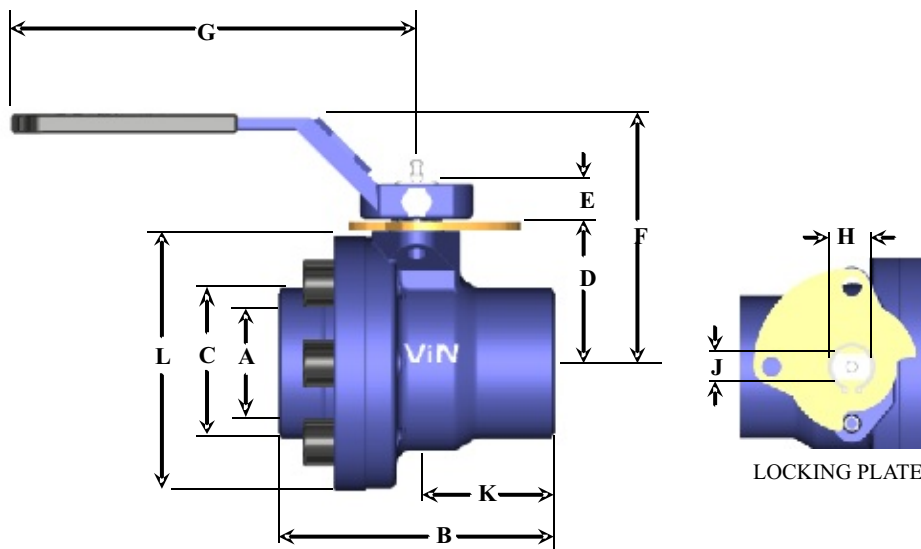
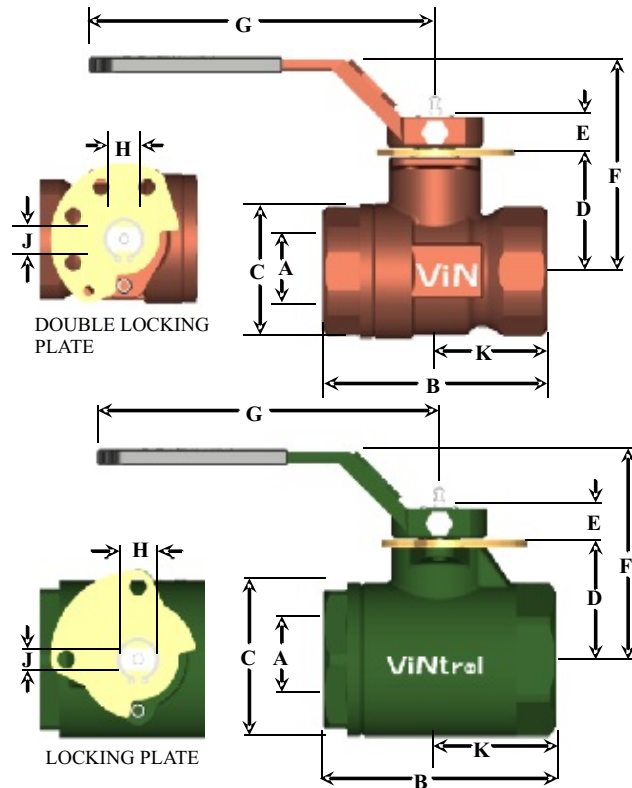
Base No	Suffix Codes							
X X X X	X	X	X	X	X	X	X	X
								Options 9 None
								Actuation 1 Handle 2 Square Nut 3 Gear Operator 4 Gear Operator w/ Locking Device 9 Bare Stem
								Seals 1 Buna-N 2 Viton 3 LT Buna-N 4 HNBR 5 AFLAS 6 James Walker 7 PC Buna-N 8 EPDM
								Seats 1 Delrin 2 PTFE 3 RTFE 4 Devlon 5 PEEK 6 TFM (Hostafilon)
								End Connection 1 Threaded LP 2 SW x SW 3 Threaded 8RD 4 SW x THD
								Trim Material (Ball / Stem) 1 CS / CS Standard Nace 2 316 SS / 316 SS Standard Nace
								Body / Adapter Material 1 Carbon Steel 2 CF8M 3 Ductile Iron 4 Low Temp Carbon Steel (LCC) 5 Coated Ductile Iron 6 Coated Carbon Steel

SERIES B BASE PART NUMBERS

SIZE/RATING	1.5" FP	2" RP	2" FP	3" RP	3" FP	4" RP	4" FP
1000					2105-	2106-	2107-
1500		2152-	2153-	2154-	2155-	2156-	2157
2000		2202-	2203-	2204-	2205-	2206-	2207-
2160	2211-	2212-	2213-	2214-	2215-		
2500	2251-	2252-	2253-	2254-	2255-		
3000	2301-	2302-	2303-	2304-	2305-		
5000	2501-	2502-	2503-				

DIMENSIONAL DATA (IN INCHES)

MODEL	SERIES A - 1500 THRU 5000		SERIES A - 1000 PSI TANK VALVE		
	1" FP	2" RP	2" RP	3" RP	4" RP
A	1.0	2 X 1.5	2 X 1.5	3 X 2	4 X 3
B	4	5.25	5.25	7.25	8.75
C	1.88	3.63	3.00	4.38	6.00
D	1.72	2.88	2.88	3.25	3.62
E	.562	.75	.75	.75	1.00
F	3.062	4.93	4.93	5.25	6.12
G	6.25	8	8	8	15
H	.623	.873	.873	.873	1.24
J	.372	.56	.56	.56	.622
K	2	2.75	2.62	3.62	4.38



DIMENSION	1.5" FP	2" RP	2" FP	3" RP	3" FP	4" RP	4" FP
A	1.5	2 X 1.5	2	3 X 2	3	4 X 3	4
B	5.50	5.50	5.75	7.25	8.125	8.625	12.25
C	2.38	3.00	3.125	4.25	4.25	5.25	5.75
D	2.875	2.875	3.5	3.5	4.69	4.69	5.325
E	.75	.75	.875	.875	1.063	1.063	1.13
F	4.937	4.937	5.312	5.312	6.75	6.75	8.4
G	8	8	8	8	15	15	18
H	.873	.873	.873	.873	1.24	1.24	1.365
J	.56	.56	.56	.56	.622	.622	.745
K	2.75	2.75	2.875	3.812	4.187	4.437	6.05
L	4.875	4.875	6.125	6.875	8	8	10.25

Engineering Specifications

Flow Coefficient Cv

SIZE	Std. Port	Full Port
1"		60
1.5"		130
2"	120	360
3"	350	996
4"	480	1893

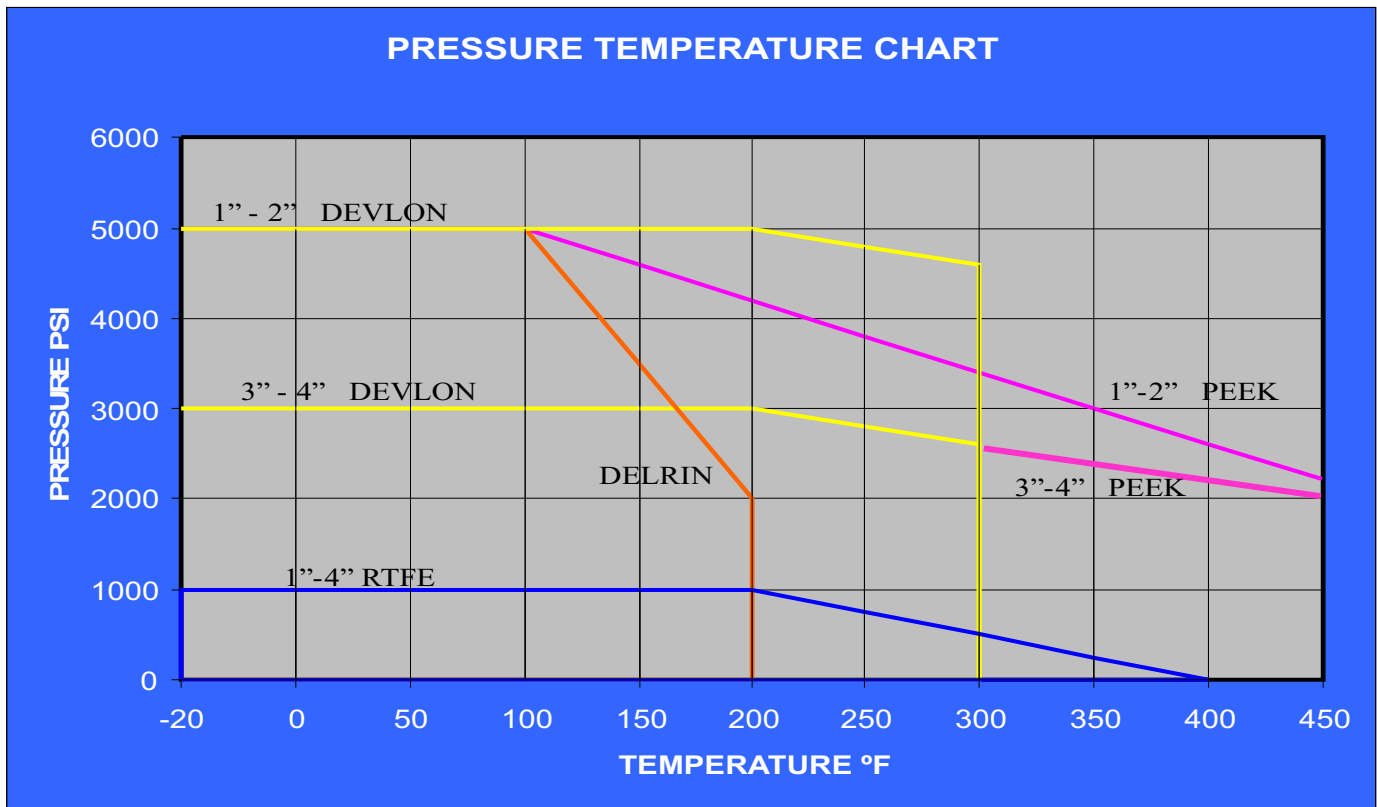
Note

Technical data provided for customer convenience and is subject to change without notice. Please consult factory for specific application and additional product information.

Pressure / Temperature ratings are based on valve rating and the trim materials selected for the valve.

Torque values are based on clean lubricating fluids. A service factor should be applied for all other conditions.

Pressure / Temperature



Torque at Full Rated Pressure In Lbs

SIZE	1000	1500	2000	2500	3000	5000
1"	345	590	750	900	1080	1500
1.5"	710	890	1120	1400	1750	2700
2"	945	1200	1500	1880	2350	3850
3"	2155	2700	3200	3700	4100	
4"	3950	4425	5036			

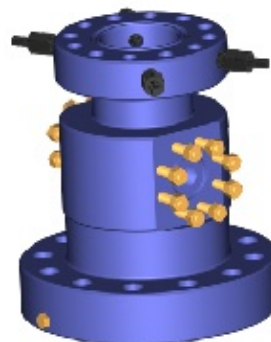
ViNtrol offers a complete line of flow control solutions to serve as your one stop shop!



Flanged Floating
Ball Valves



Swing Check
Valves



Wellhead
Components



Threaded
Floating Ball
Valves



Trunnion
Mounted Ball
Valves



Gate Valves



Seal
Welded Ball
Valves



Gaskets and
Accessories

STANDARDS AND SPECIFICATIONS

ViNtrol Valves and Wellhead Components are designed and manufactured to meet the requirements of the following industry standards.

API 6A	WELLHEAD AND CHRISTMAS TREE EQUIPMENT
API 6D	PIPELINE VALVES
ANSI B16.5	STEEL PIPE FLANGES AND FLANGE FITTINGS
ANSI B16.34	VALVES, FLANGED & BUTTWELD
ANSI B16.10	FACE-TO-FACE DIMENSIONS FOR FERROUS VALVES
MSS-SP-6	STANDARD FINISHES FOR PIPE FLANGES
MSS-SP-25	STANDARD MARKING SYSTEM FOR VALVES
MSS-SP-55	QUALITY STANDARD FOR STEEL CASTINGS
MSS-SP-72	FLANGED BALL VALVES FOR GENERAL SERVICE
API 6FA	FIRE TEST SPECIFICATION
API 598	VALVE INSPECTION AND TESTING
NACE MR0175	STANDARD MATERIAL REQUIREMENTS 2002 EDITION

SERIES A & B

ViNtrol, Inc.

8200 B SW 44th Street
Oklahoma City, OK 73179
Phone: 405-261-0770
Fax: 405-261-0774
Toll Free: 866-345-8298
www.vintrol.com